

PLATE OPTIONS FOR ORIGIN LIVE DC MOTOR KIT

NOTES: All plates fit all motors we stock

Best performance always results from using a SINGLE attachment bolt and relying on friction to hold the plate in position.

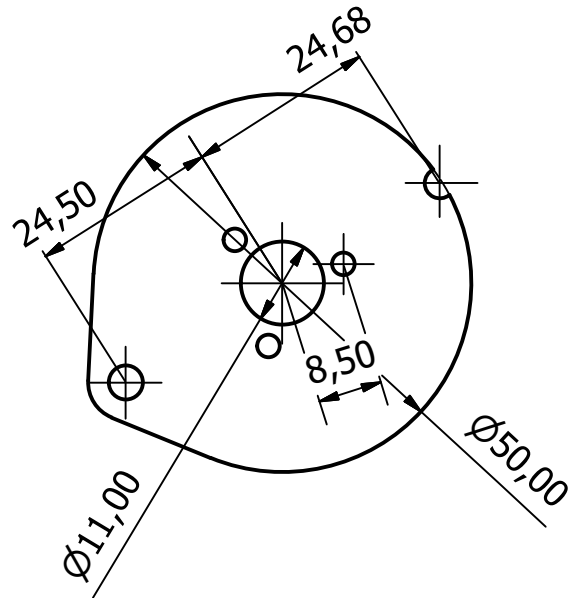
We do not do specials.

Plates are normally 2mm thick Stainless Steel

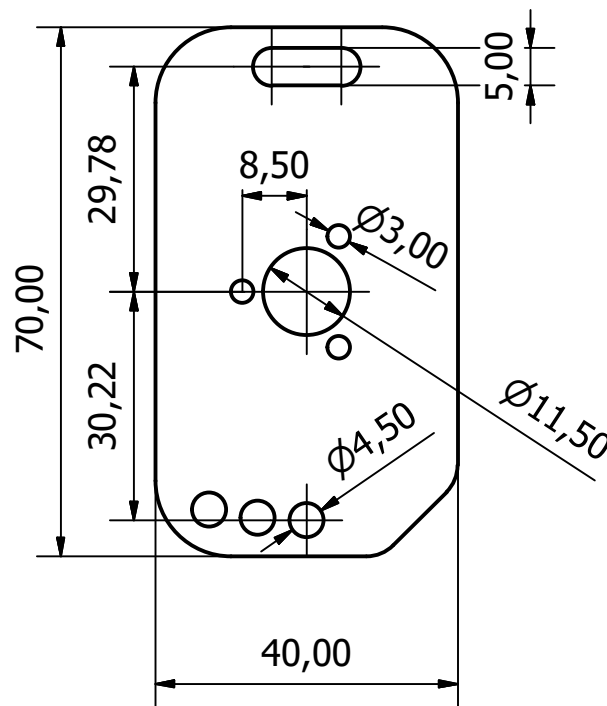
With default tall pulley attached the belt centre rides at approx 12mm above the surface of the 2mm thick mounting plate and top of pulley is 17mm above mounting plate.

The DC100 motor is 29mm diameter and extends 45mm below the motor plate.

SMALL ROUND PLATE
Option instead of rectangular



STANDARD RECTANGULAR PLATE
(Supplied as Default)



LARGE ROUND PLATE
Option instead of Rectangular

