

Pivot point adjustment and checking

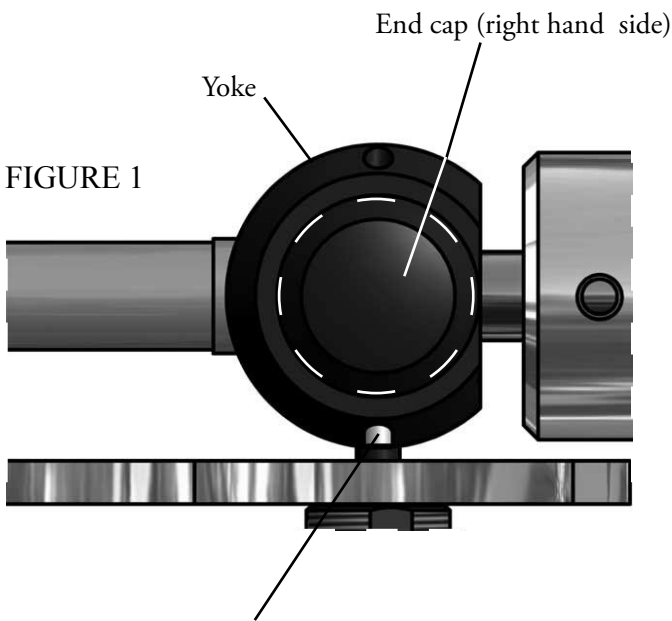


FIGURE 1

The bottom of the round pivot dowel should be level with the bottom of the yoke as shown

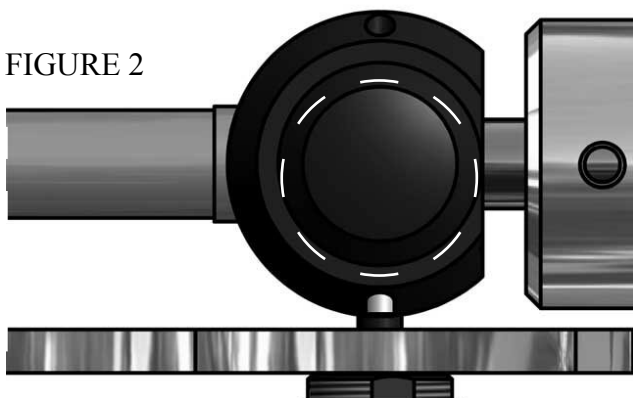


FIGURE 2

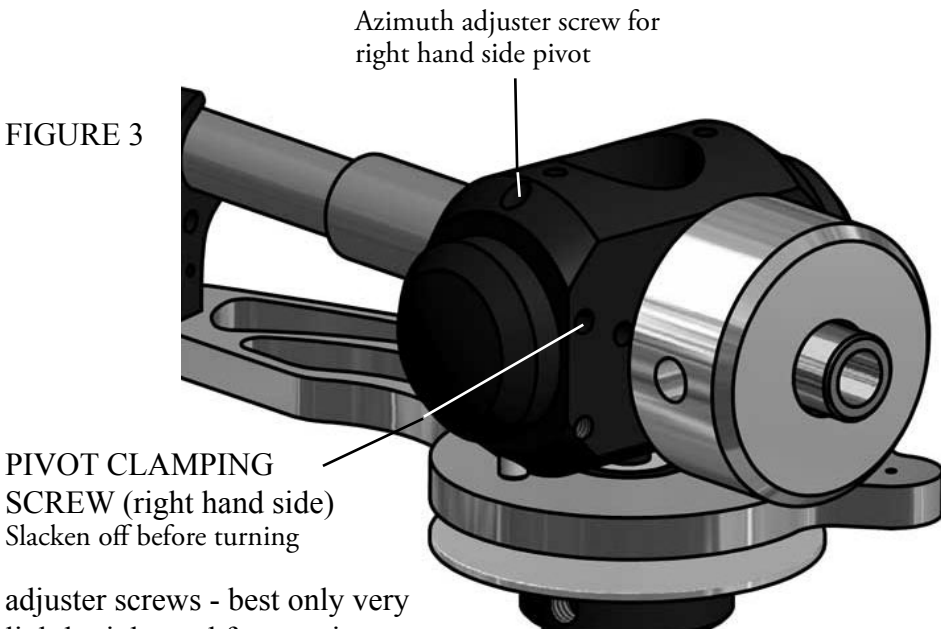


FIGURE 3

PIVOT CLAMPING SCREW (right hand side)
Slacken off before turning

adjuster screws - best only very lightly tightened for transit

The illustrations are not necessarily an exact likeness of your arm - their purpose is to show principles that are the same for all Origin Live dual pivot arms.

If you are experiencing tracking force variations of greater than plus or minus 0.2 grams then it is worth checking that the dual points are set up correctly.

Firstly look at the right hand side end cap and check that it is perfectly concentric with the yoke. The white dashed circle in Figure 1 shows correct position which is neither above or below the centre axis of the yoke.

Figure 2 shows dashed lines in a position below the centre axis.

Check both right and left hand end caps for correct height alignment. If either cap is clearly out of its central position then the points need to be adjusted till the end caps become concentric with the yoke.

To adjust the pivot points- See Figure 3 - Firstly untighten the "pivot clamping screws" on both right and left hand sides of the yoke. You can now adjust the "azimuth adjuster screws" till both left and right hand side end caps are concentric with the yoke.

It is helpful to perceive the yoke as a fixed reference - it is the end caps and arm that moves with adjustment. The pivots are actually part of the end cap assembly, so as you wind the right hand pivot down (ie turn the adjuster screw as shown in Figure 3 in a clockwise direction looking from the top) the right hand end cap will **rise**.

The same is true for the left hand side.

Adjust till both end caps are central to yoke axis. Lastly you should fine adjust the screws to achieve correct azimuth (vertical alignment of the cartridge when viewed head on) using conventional methods. The pivot clamping screws are best left unclamped for optimum performance.